

Visual LED Display Pressure Transmitter

Model: GE-204 (Standard)

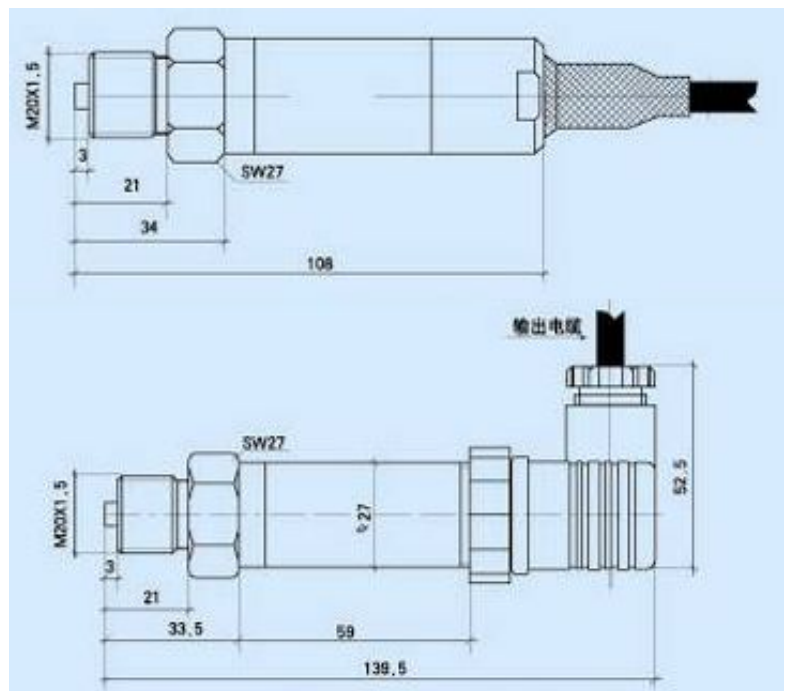


Description

GE-204 Pressure Transmitter, adopting global advanced electron ceramic technology, with low range has the character of overload resistance, high impact resistance, excellent linearity, lasting high stability, wide temperature range, corrosion proof, etc. This series can be applied in Defense industry, scientific research, Space industry, Petroleum, Chemical industry, Electric power, Ocean and other fields.

Dimensions

(Custom-made is Available, for different size)



Application

- ◆ Mechanical Engineering Industry
- ◆ Hydraulic and level measurement
- ◆ Gas tank pressure monitoring
- ◆ Industrial test and control
- ◆ General industrial applications

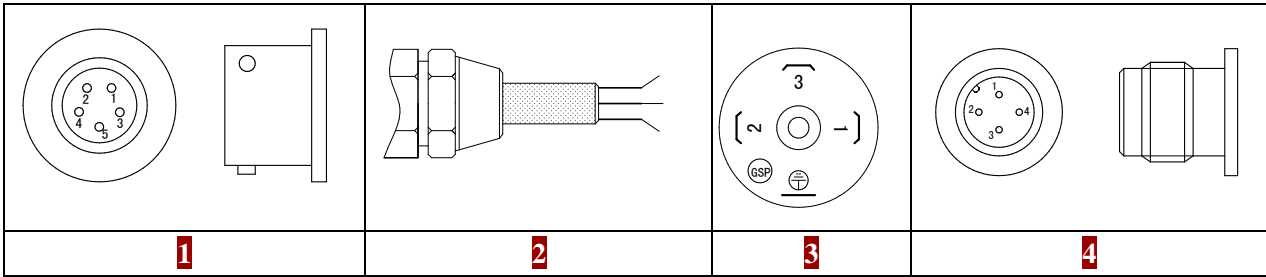
Feature

- ◆ Various industrial standard signal output
- ◆ Various electrical connector available
- ◆ Certain stock for shortening delivery time
- ◆ High accuracy, free of calibration
- ◆ compact dimension design

Specification

Range:	
Accuracy:	0.25%FS; 0.5%FS; 1%FS
Nonlinearity:	Full span x 0.2%
Reliability:	Full span x 0.05%
Output:	4-20mA(Two wire), 0-5V; 0-10V(Three wire); 2mV/V, 3.3mV/V (PT124S-210)
Input voltage:	24(12~36)VDC (Amplify signal), 10(6~12)VDC (mV output)
Work Temperature Range:	-40~80℃
Compensated temp range:	0~70℃
Overload pressure:	150%FS
Medium material:	stainless steel or Hardening Aluminum
Electric connection:	Hirschman (DIN), M12,4pin, Bendix connector, grand cable (Customer design)
Process connection:	G1/4, G1/2, 1/2NPT, 1/4NPT, M12*1.5 (Customer design)

Electric Connector



Connector type1	Function	Color	5PIN	Connector type2	Function	Color	
5PIN connector 0-5V; 0-10V 0.5-4.5V,1-5V	S+	Blue	1	Grand cable 0-5V; 0-10V 0.5/4.5V,1-5V	S +	Blue	
	E+	Red	2		E +	Red	
	E-/S-	Yellow/White	3		E-/S-	Yellow/White	
5PIN connector 1.5mV/V, 2mV/V 3.33mV/V	S+	Blue	1	Grand cable 1.5mV/V, 2mV/V 3.33mV/V	S+	Blue	
	E +	Red	2		E +	Red	
	S -	White	3		S -	White	
	E -	Yellow	4		E -	Yellow	
	C	Black	5		C	Black	
5PIN connector 4-20mA	E+	Red	1	Grand cable 4-20mA	E+	Red	
	S+	Black	2		S+	Black	
Connector type3	Function	Color	4PIN	Connector type4	Function	Color	4PIN
Hirschman 0-5V; 0-10V 0.5-4.5V,1-5V	E+	Red	1	M12x1 connector 0-5V; 0-10V 0.5-4.5V,1-5V	E +	Red	1
	S+	Blue	2		S +	Blue	3
	E -/S-	Yellow/White	3		E -/S-	White	4
Hirschman 4-20mA	E+	Red	1	M12x1 connector 4-20mA	E+	Red	1
	S+	Black	2		S+	Black	3

Electric Connection code

Ordering Guide

Model	Range	Output	Screw Thread	connection	Other requirement
GE-204	---	---	---	---	---
Example: GE-204-50Bar-4/20mA-G1/2-Hirschman					

Remarks:

Please connect the pressure transmitter with the opposite connection for difference electric connector. If the pressure transmitters with cable, please consult the right color.