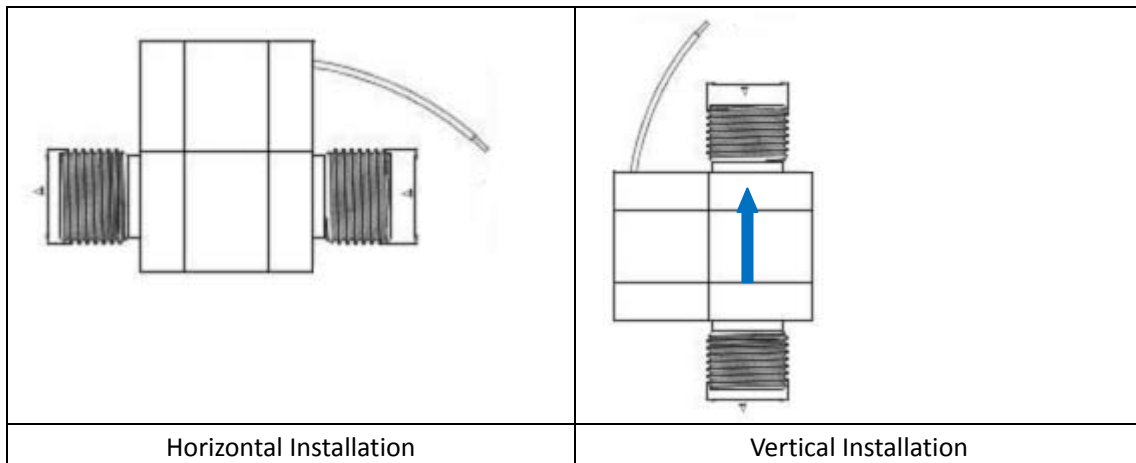


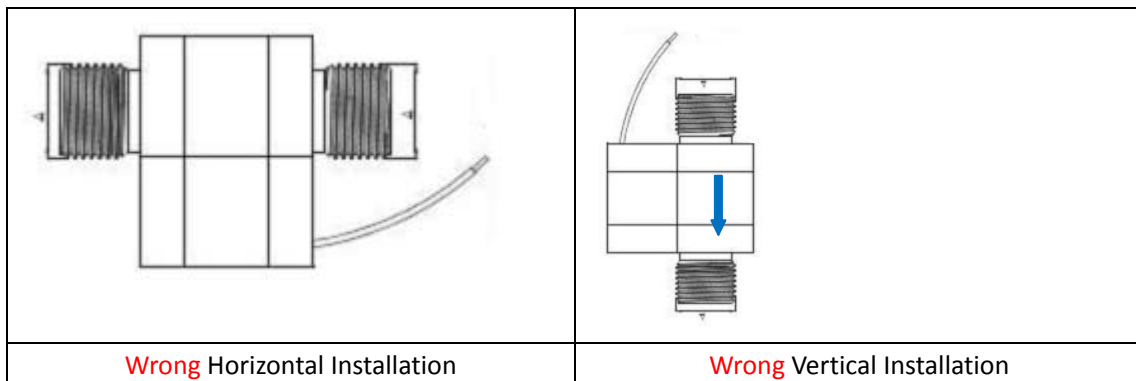
User Manual

✧ The Water Flow Switch **GE311** could be installed by Vertical and Horizontal Manner.

Right Installation



Wrong Installation



If Vertical Installation, the Water Flow Rate Setpoint will add more 20% than standard Flow Rate Setpoint.