

GE-511 Differential Pressure Switch



Specification

Type	GE-511
Max Voltage	250VAC
Max Current	3A
Output	On/Off in Option (SPDT)
$\Delta P1$ Setpoint	5~30kPa
$\Delta P1$ Return Difference	3~5kPa
Max Static Pressure	16 bar
Max Differential Press	10 bar
Work Medium	Water or Gas
Temperature	-20~93C degree
Windage	$\pm 1\%$
Protection Grade	IP54
Connector	1/4" SAE (7/16"-20UNF)

Accessory and Optional Device

NUT 2pcs, Fig 1

M20 water joint, Fig 2

Waterproof board for Adjusting Knob

Mark: Standard Equipis 2 pcs NUT, others is optional Equip.



Fig 1 NUT

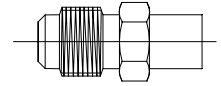


Fig 2 M20 water joint

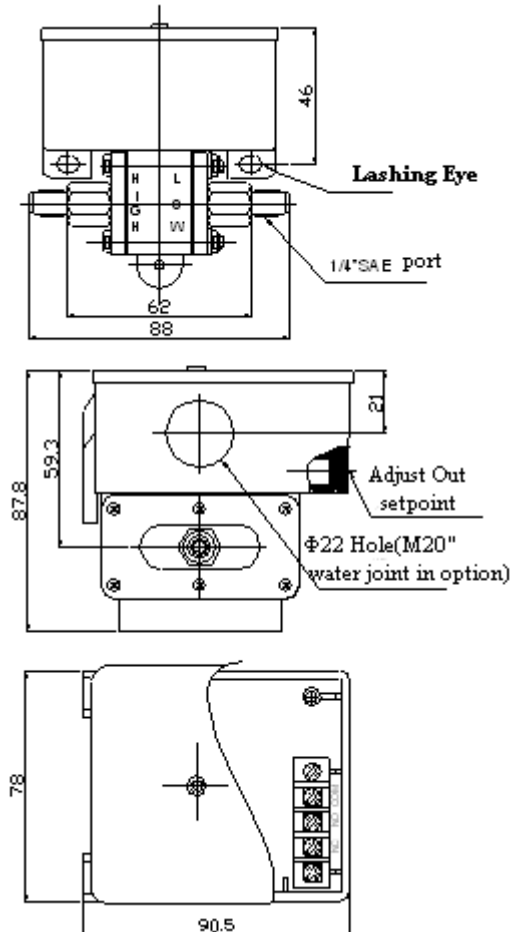


Fig 4 The Structure Chart of DP Switch

Position

It is very important for the install position of switch. Suitable position is of advantage to the accuracy of DP Switch. The connector should be close with the Water Inlet of Heater Exchanger or Pump or Water Filter, making the Water Input as the position of measure pressure. As Fig 5.

In view of the Low Temperature, to avoid the frost crack of connect pipe, if necessary, should consider the Keep Warm of switch and pipe.



In any crics, not try to open the cooper body

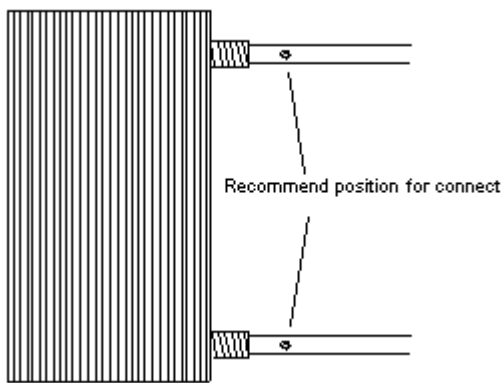


Fig 5 Position for Measurement

Install

- 1、 Drill in the pipeline, joint 1/4" SAE connector, As Fig 5.
- 2、 Put the switch on the holder (No special demand for plastic junction box), make the 1/4" copper pipe to connect the switch with 1/4" SAE connector.
- 3、 The port with "High" mark should connect with High Pressure Terminal (Water Input), the port with "Low" mark should connect with Low Pressure Terminal (Water Output).
- 4、 Connect Pipe should be solid connected with 1/4" SAE Port, using 10mm rubber insulated board and insulated pipe to keep heat, or use heating wire to keep warm by wrapping evenly.

Modify and Test

- 1、 For the adjustable switch, if not declared to [A.YITE GROUP](http://www.ayite.net), the default setpoint will be marked in the nameplate. The setpoint could be changed by adjusting the tuning knob, clockwise rotation could add the setpoint, counter clockwise could subtract setpoint

- 2、 When using the switch, need to change the setpoint by condition. For example, if need to control the differential pressure precisely, need measure the different pressure with specialized meter, then setup the setpoint.
- 3、 If tell the setpoint to [A.YITE GROUP](http://www.ayite.net) in advance, we could supply the service to print setpoint in nameplate, avoiding the inaccuracy of adjusting for the user with no specialized meter.

Wire Connection

- 1、 The output of switch is located in the terminals of junction box, user could connect the wire by the reality condition, with suitable wire. (We supplying M20" SAE water joint).
- 2、 Max Current for Resistive Loading: 3A
Max Current for Inductive Loading: 1A

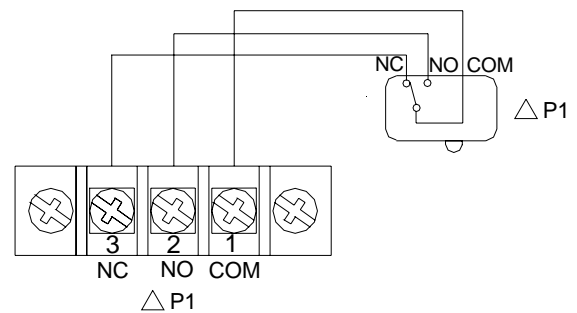


Fig 7 Wiring Diagram of the switch inside

website: <http://www.ayite.net>

Email: sales@ayite.net

support@ayite.net